



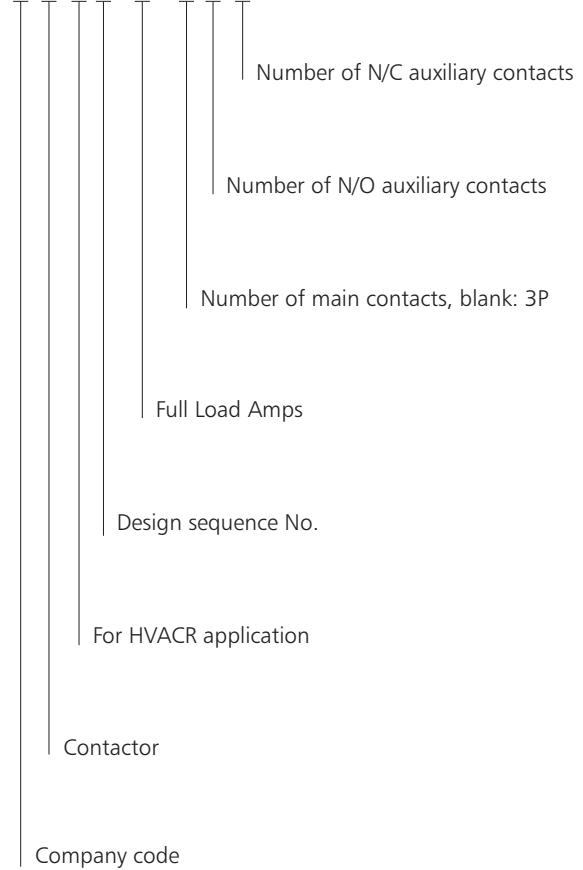
NCK3 Definite Purpose Contactor, 20~90A

1. General

- 1.1 Certificates: UL;
- 1.2 Application: HVACR;
- 1.3 Utilization category: AC-1, AC-8a;
- 1.4 Rated insulation voltage: 630V;
- 1.5 Standard: UL508

2. Type designation

N C K 3 - □ / □ □



3. Technical data

3.1 Contactor

★ NCK3, 1P+shunt

Model	NCK3-20/1-40/1							Voltage	Single-phase horsepower
	FLA			RES	LRA				
	240/277V	480V	600V		240/277V	480V	600V		
NCK3-20/1	25	25	25	35	150	125	100	120	1
								240	2
NCK3-25/1	25	25	25	35	150	125	100	120	1
								240	2
NCK3-30/1	32	32	32	40	200	150	120	120	1
								240	2
NCK3-32/1	32	32	32	40	200	150	120	120	1
								240	2
NCK3-40/1	40	40	40	50	240	200	160	120	2
								240	3

★ NCK3, 1pole+1NC auxiliary contact

Model	NCK3-20/101-40/101							Voltage	Single-phase horsepower
	FLA			RES	LRA				
	240/277V	480V	600V		240/277V	480V	600V		
NCK3-20/101	25	25	25	35	150	125	100	120	1
								240	2
NCK3-25/101	25	25	25	35	150	125	100	120	1
								240	2
NCK3-30/101	32	32	32	40	200	150	120	120	1
								240	2
NCK3-32/101	32	32	32	40	200	150	120	120	1
								240	2
NCK3-40/101	40	40	40	50	240	200	160	120	2
								240	3

3.2 Contactor

★ NCK3, 2Pole

Model	NCK3-20/2-40/2							Voltage	Single-phase horsepower
	FLA			RES	LRA				
	240/277V	480V	600V		240/277V	480V	600V		
NCK3-20/2	25	25	25	35	150	125	100	120	2
								240	3
NCK3-25/2	25	25	25	35	150	125	100	120	2
								240	3
NCK3-30/2	32	32	32	40	200	150	120	120	2
								240	3
NCK3-32/2	32	32	32	40	200	150	120	120	2
								240	3
NCK3-40/2	40	40	40	50	240	200	160	120	2
								240	3

★ NCK3, 3Pole

Model	NCK3-20-40							Voltage	Single-phase horsepower	Three-phase horsepower
	FLA			RES	LRA					
	240/277V	480V	600V		240/277V	480V	600V			
NCK3-20	25	25	25	35	150	125	100	120 240/277 480 600	2 5 / / 20	/ 10 15 20
NCK3-25	25	25	25	35	150	125	100	120 240/277 480 600	2 5 / / 20	/ 10 15 20
NCK3-30	32	32	32	40	200	150	120	120 240/277 480 600	2 5 / / 20	/ 10 15 20
NCK3-32	32	32	32	40	200	150	120	120 240/277 480 600	2 5 / / 20	/ 10 15 20
NCK3-40	40	40	40	50	240	200	160	120 240/277 480 600	3 7.5 / / 25	/ 10 20 25

Model	NCK3-75-90							Voltage	Single-phase horsepower HP	Three-phase horsepower HP
	FLA			RES	LRA					
	240/277V	480V	600V		240/277V	480V	600V			
NCK3-75	75	75	75	90	450	375	300	110/120 200/208 240/277 480 600	5 10 15 / 50	/ 20 25 50 50
NCK3-90	90	90	90	120	540	450	360	110/120 200/208 240/277 480 600	7.5 15 20 / 60	/ 25 30 60 60

Model	NCK3-50-60							Voltage	Single-phase horsepower HP	Three-phase horsepower HP
	FLA			RES	LRA					
	240/277V	480V	600V		240/277V	480V	600V			
NCK3-50	50	50	50	65	300	250	200	110/120 200/208 240/277 480 600	3 7.5 10 / 25	/ 15 15 25 25
NCK3-60	60	60	60	75	360	300	240	110/120 200/208 240/277 480 600	5 7.5 10 / 30	/ 25 25 30 30

3.3 Coil specifications

1Pole+shunt, 1Pole+1 NC, auxiliary contact, 2Pole

Model		NCK3-25(20)	NCK3-30(32)	NCK3-40
Power consumption	In-rush (VA)	55	55	55
	Sealed (VA)	13	13	13
Operation range	Operation voltage	(85%~110%) Us		
	Drop-out voltage	(20%~65%) Us		
Power supply voltage Us		AC50/60Hz, 24V, 110V,120V, 220V,240V		

3Pole

Model		NCK3-20~40	NCK3-50~60	NCK3-75~90
Power consumption	In-rush (VA)	51	83	165
	Sealed (VA)	12	14	30
Operation range	Operation voltage	(85%~110%) Us		
	Drop-out voltage	(20%~65%) Us		
Power supply voltage Us		AC50/60Hz, 24V, 110V,120V, 220V,240V		

3.4 Specifications of auxiliary contact

1 Pole+ 1 NC auxiliary contact

Ith (A)	Ui (V)	Capacity of auxiliary contact	
		AC (VA)	DC (W)
10	600	300	30

3Pole, lateral auxiliary contact

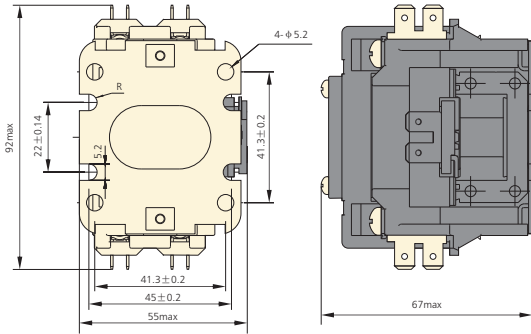
Utilization category	Rated insulation voltage (V)	Resistive amps (A)	Rated operational voltage (V)	Rated operational current (A)	Control capacity
AC-15	660V	10	380/400	0.95	360VA
DC-13	660V	10	220/230	0.15	33W

4. Terminal connection

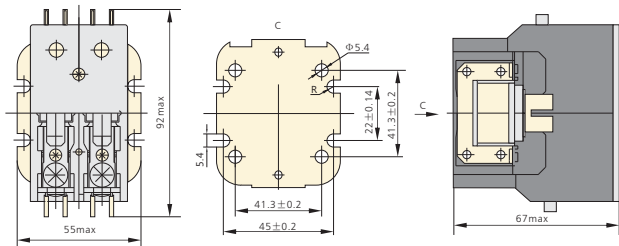
Model	Cabling(mm ²) (Cu)		Tightening torque (N · m)	
	Rigid wire with single core	Flexible stranded wire	Coil	Main circuit
NCK3-20	2.5~6	2.5~4	-	1.8~2
NCK3-25	2.5~6	2.5~4	-	1.8~2
NCK3-32	4~10	2.5~6	-	1.8~2
NCK3-40	4~10	2.5~6	-	1.8~2
NCK3-50	6~16	4~10	0.8~1.2	4~10
NCK3-60	6~16	4~10	0.8~1.2	4~10
NCK3-75	16~35	10~25	0.8~1.2	4~14
NCK3-90	25~35	16~25	0.8~1.2	4~14

5. Overall and mounting dimensions (mm)

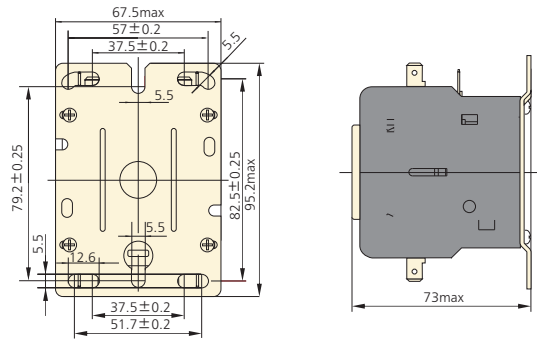
NCK3-20/1~40/1



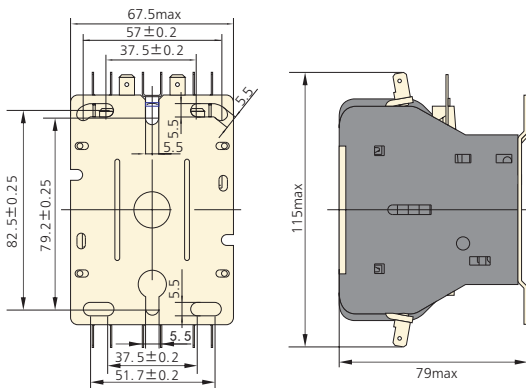
NCK3-20/2~40/2



NCK3-20~40



NCK3-50~60



NCK3-75~90

